

DOUBLE-ENDED BEAM
RL75058S-LP

Stainless Steel, Hermetically Sealed, NTEP Certified 1:10,000 Class III L Multiple Cell, IP68/69K



Picture is a representation of actual product.

Approvals

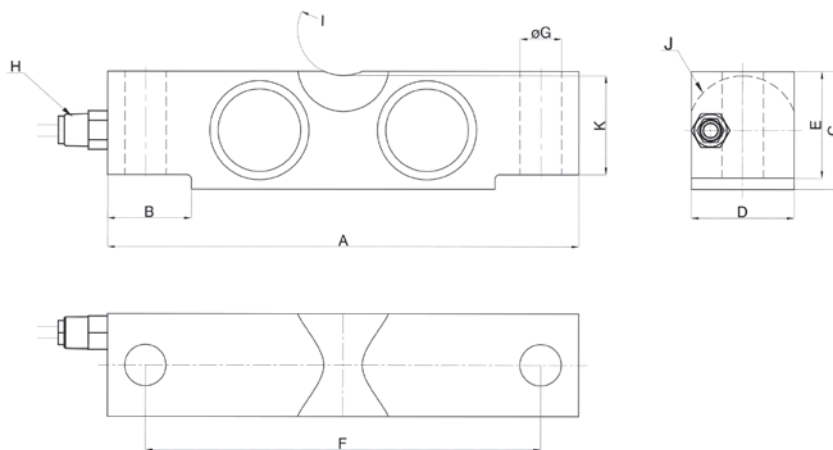


Order Information

Load Rating	Part #	Est. Weight	Price
NTEP Certified 35 ft Cable			
20,000 lb	197797	8 lb	Consult
25,000 lb	197798	8 lb	Consult
40,000 lb	198430	13 lb	Consult
50,000 lb	197799	19 lb	Consult
60,000 lb	197800	19 lb	Consult
75,000 lb	197801	19 lb	Consult
100,000 lb	197803	40 lb	Consult
125,000 lb	197804	40 lb	Consult
Non-NTEP Certified 35 ft Cable			
10,000 lb	197796	8 lb	Consult
NTEP Certified 60 ft Cable			
75,000 lb	197802	20 lb	Consult

Dimensions

Rated Capacity	A	B	C	D	E	F	ØG	H	I	J	K
lb/in											
10,000 to 25,000	7.75	1.38	1.94	1.69	1.70	6.50	0.68	1/4-18 NPT	R19.1	R22.9	1.63
40,000	10.25	1.93	2.44	1.94	2.10	8.50	0.81	1/4-18 NPT	R25.4	R28.5	2.00
50,000 to 75,000	10.25	1.93	2.94	2.44	2.65	8.50	1.06	1/2-14 NPT	R25.4	R34.8	2.54
100,000 to 125,000	15.25	3.13	3.86	2.90	3.43	12.75	1.62	1/2-14 NPT	R38.1	R45.7	3.30



Interchangeable Products

RICE LAKE WEIGHING SYSTEMS
RL75058I (Alloy)..... page 136
VPG® SENSORTRONICS®
65058S..... page 294

Weigh Module Available

RICE LAKE WEIGHING SYSTEMS
RL2100HE..... page 26
RICE LAKE WEIGHING SYSTEMS
MVS..... page 74

Specifications

- Full Scale Output:**
3.0 mV/V
- Output Resistance:**
700 (± 7) ohm
- Input Resistance:**
700 (± 14) ohm
- Material/Finish:**
Stainless steel
- Temperature:**
Compensated range
14 °F to 104 °F (-10 °C to 40 °C)
Operating range
0 °F to 150 °F (-18 °C to 65 °C)
- Seal Type:**
Hermetically sealed, IP68/IP69K
- Safe Overload:**
150% full scale
- Safe Sideload:**
100% full scale
- Rated Excitation:**
5 to 10 VDC (15 V maximum)
- Combined Error:**
0.02% full scale
- Insulation Resistance:**
5,000 megohm
- Cable Length:**
35 ft
60 ft
- Cable Diameter:**
10,000 to 25,000 lb: 0.200 in
40,000 to 125,000 lb: 0.305 in
Polyurethane jacket
- Cable Coloring Code:**
Red +Excitation
Black -Excitation
Green +Signal
White -Signal
- Warranty:**
Two-year limited
- Approvals:**
cFMus
NTEP 20-081