

Picture is a representation of actual product.

**Approvals**

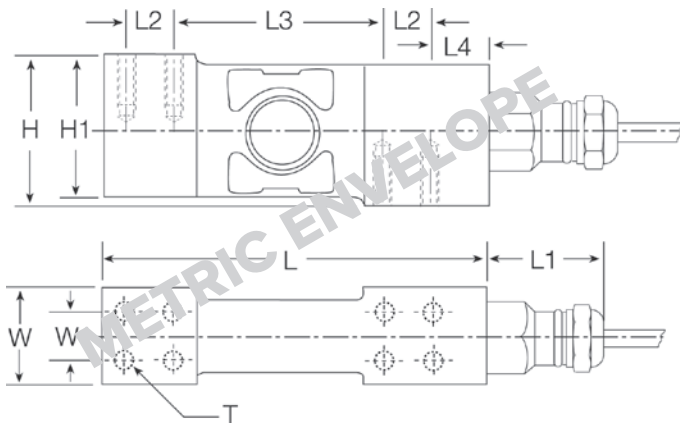


**Order Information**

Load Rating	Part #	Est. Weight	Price
20 kg	36225	3 lb	Consult
50 kg	36226	3 lb	Consult
100 kg	36227	3 lb	Consult
200 kg	36228	3 lb	Consult

**Dimensions**

Rated Capacity	H	H1	L	L1	L2	L3	L4	W	W1	T
kg/mm										
20 to 200	48.0	45.5	123.0	41.0	15.2	67.6	17.8	30.1	15.2	8 × M6/15 DP



**Interchangeable Products**

RICE LAKE WEIGHING SYSTEMS  
**RLPC6** .....page 152

**Specifications**

- Full Scale Output:**  
2.0 mV/V
- Output Resistance:**  
960 (± 50) ohm
- Input Resistance:**  
1,100 (± 50) ohm
- Material/Finish:**  
Stainless steel
- Temperature:**  
Compensated range  
14 °F to 104 °F (-10 °C to 40 °C)  
Operating range  
0 °F to 150 °F (-18 °C to 65 °C)
- Seal Type:**  
Hermetically sealed, IP69K
- Safe Overload:**  
200% full scale
- Safe Sideload:**  
100% full scale
- Rated Excitation:**  
5 to 10 VDC (15 V maximum)
- Combined Error:**  
0.02% full scale
- Insulation Resistance:**  
5,000 megohm
- Cable Length:**  
3 m
- Cable Color Code:**  
Green +Excitation  
Black -Excitation  
White +Signal  
Red -Signal  
Yellow Shield
- Max Platform Size:**  
24 × 24 in
- Warranty:**  
One-year limited
- Approvals:**  
FM  
NTEP  
OIML