

Picture is a representation of actual product.

### Approvals



Available upon request

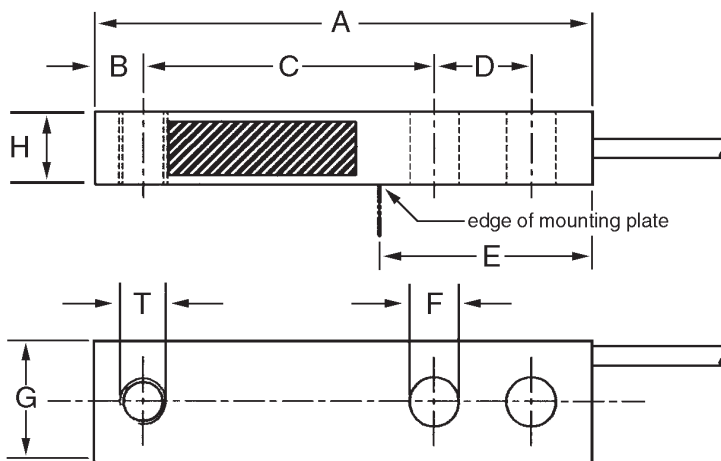
### Order Information

Load Rating	Part #	Est. Weight	Price
<b>NTEP Certified</b>			
500 kg	84839	2 lb	Consult
1,000 kg	84840	2 lb	Consult
2,000 kg	84841	2 lb	Consult
<b>Non-NTEP Certified</b>			
200 kg	84838	2 lb	Consult

### Dimensions

Rated Capacity	A	B	C	D	E	F	G	H	T*
kg/mm									
200	128.5	12.7	76.2	25.4	53.8	13(2x)	31.8	16.1	1/2-20 UNF
500	128.5	12.7	76.2	25.4	53.8	13(2x)	31.8	16.1	1/2-20 UNF
1,000	128.5	12.7	76.2	25.4	53.8	13(2x)	31.8	19.1	1/2-20 UNF
2,000	130.2	12.7	76.2	25.4	53.8	13(2x)	31.8	25.4	1/2-20 UNF

\*Metric thread is available



### Specifications

**Full Scale Output:**

2.0 mV/V  
mV/V/ohm calibration

**Output Resistance:**

1,000 (± 2) ohm

**Input Resistance:**

1,100 (± 50) ohm

**Material/Finish:**

Stainless steel

**Temperature:**

Compensated range  
14 °F to 104 °F (-10 °C to 40 °C)  
Operating range  
0 °F to 150 °F (-18 °C to 65 °C)

**Seal Type:**

Environmentally sealed, IP67

**Safe Overload:**

200% full scale

**Safe Sideload:**

100% full scale

**Rated Excitation:**

5 to 10 VAC/DC (15 V maximum)

**Combined Error:**

0.030%

**Insulation Resistance:**

5,000 megohm

**Cable Length:**

10 ft  
Also available in 30 ft

**Cable Diameter:**

0.196 in  
Polyurethane jacket

**Cable Color Code:**

Green +Excitation  
Black -Excitation  
White +Signal  
Red -Signal  
Yellow Shield

**Warranty:**

One-year limited

**Approvals:**

NTEP  
EX  
OIML (Available upon request)