

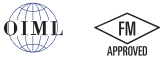
S-BEAM  
**UB6**

Stainless Steel, Hermetically Sealed, OIML C3, IP69K



Picture is a representation of actual product.

**Approvals**



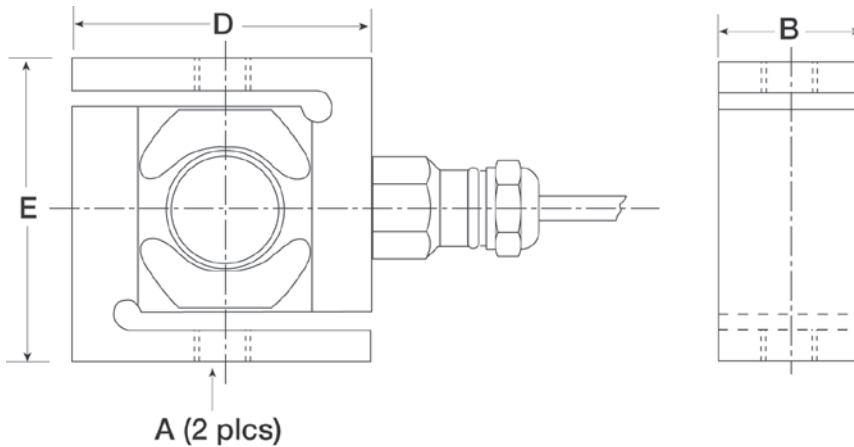
**Order Information**

Load Rating	Part #	Est. Weight	Price
1 kN	<b>36214</b>	3 lb	Consult
2 kN	<b>36215</b>	3 lb	Consult
5 kN	<b>36216</b>	3 lb	Consult

**Dimensions**

Rated Capacity	A*	B	D	E
kN/in				
1 to 5	1/2-20 UNF	1.20	2.42	2.42

\*Also available with metric threads



**Specifications**

- Full Scale Output:**  
2.0 mV/V  
mV/V/ohm calibration
- Output Resistance:**  
1,000 (± 2) ohm
- Input Resistance:**  
1,100 (± 50) ohm
- Material/Finish:**  
Stainless steel
- Temperature:**  
Operating range  
0 °F to 150 °F (-18 °C to 65 °C)
- Seal Type:**  
Hermetically sealed, IP69K
- Safe Overload:**  
200% full scale
- Rated Excitation:**  
5 to 10 VDC (15 V maximum)
- Combined Error:**  
0.02% full scale
- Insulation Resistance:**  
5,000 megohm
- Cable Length:**  
20 ft
- Cable Diameter:**  
0.196 in  
Polyurethane jacket
- Cable Color Code:**  
Green +Excitation  
Black -Excitation  
White +Signal  
Red -Signal  
Yellow Shield
- Warranty:**  
One-year limited
- Approvals:**  
FM  
OIML