



Picture is a representation of actual product

Approvals

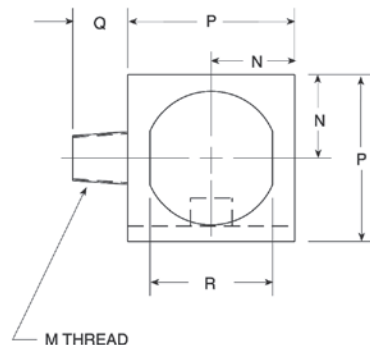
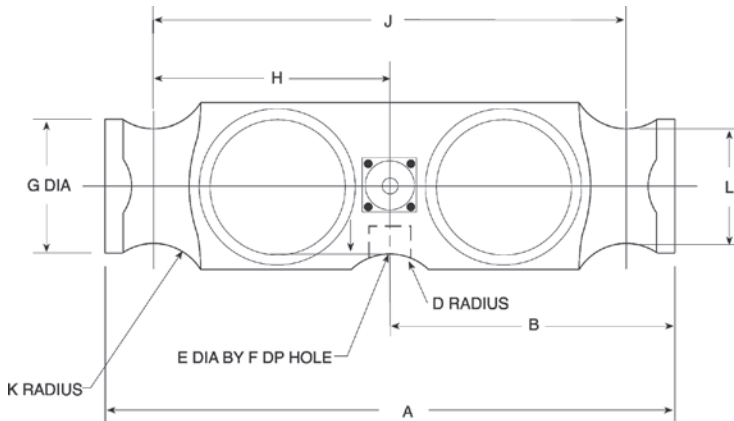


Order Information

Load Rating	Part#	Est. Weight	Price
50,000 lb	66080	18 lb	Consult
65,000 lb	87162	20 lb	Consult
100,000 lb	87163	20 lb	Consult

Dimensions

Rated Capacity lb/in	A	B	D	E	F	G	H	J	K	L	M	N	P	Q	R
50,000 to 65,000	10.25	5.12	1.00	0.75	0.78	2.40	4.25	8.50	1.00	2.06	1/2-14 NPT	1.50	3.00	1.03	2.20
100,000	10.25	5.12	1.00	—	—	2.40	4.25	8.50	1.00	2.06	1/2-14 NPT	1.50	3.00	1.03	2.20



Interchangeable Products

- RICE LAKE WEIGHING SYSTEMS
RL75223page 141
- VPG® REVERE
5223page 257
- ARTECH®
80210
- THURMAN®
TSC 800

Weigh Module Available

- RICE LAKE WEIGHING SYSTEMS
Translink™page 75

Specifications

Full Scale Output:
3.0 mV/V

Output Resistance:
686 to 714 ohm

Input Resistance:
699 to 707 ohm

Material/Finish:
High-alloy steel

Temperature:
Compensated range
14 °F to 104 °F (-10 °C to 40 °C)
Operating range
0 °F to 150 °F (-18 °C to 65 °C)

Seal Type:
Welded-seal, IP67
(Conduit is recommended for maximum protection against the ingress of water and moisture through the cable entry)

Safe Overload:
150% full scale

Safe Sideload:
100% full scale

Rated Excitation:
5 to 10 V DC (15 V maximum)

Non-repeatability:
0.01% full scale

Combined Error:
0.03% full scale

Insulation Resistance:
1,000 megohm

Deflection at Capacity:
50,000 lb: 0.018 in
65,000 lb: 0.022 in
100,000 lb: 0.034 in

Cable Length:
40 ft

Cable Diameter:
0.305 in polyurethane jacket

Cable Color Code:
Red +Excitation
Black -Excitation
Green +Signal
White -Signal

Warranty:
One-year limited

Approvals:
cFMus
NTEP