



Picture is a representation of actual product

Approvals

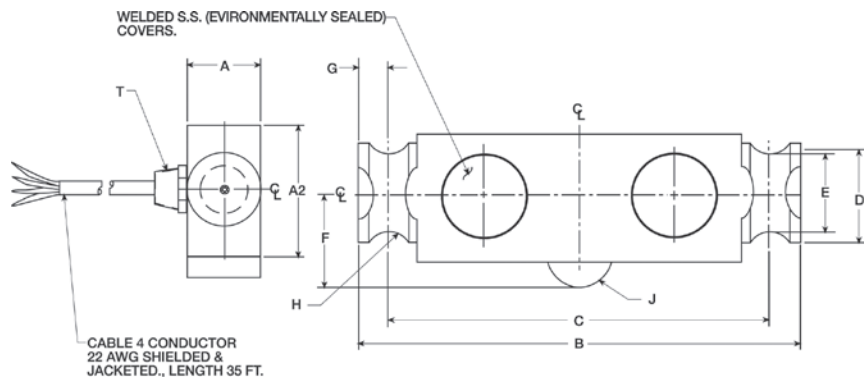


Order Information

Load Rating	Part #	Est. Weight	Price
25,000 lb	45467	15 lb	Consult
40,000 lb	45468	15 lb	Consult
50,000 lb	45469	25 lb	Consult
60,000 lb	45470	25 lb	Consult
75,000 lb	45471	25 lb	Consult

Dimensions

Rated Capacity	A	A2	B	C	D	E	F	G	H	J	T
lb/in											
25,000 to 40,000	1.94	2.44	8.25	7.25	2.00	1.63	1.75	0.50	0.50	0.50	1/4-18 NPT
50,000 to 75,000	1.94	2.94	11.50	10.00	2.20	1.70	2.00	0.75	0.75	1.00	1/4-18 NPT



Interchangeable Products

RICE LAKE WEIGHING SYSTEMS

RL75040..... page 143

VPG® SENSORTRONICS

65040A..... page 296

Specifications

Full Scale Output:

3.0 mV/V

Output Resistance:

699 to 707 ohm

Input Resistance:

686 to 714 ohm

Material/Finish:

Stainless steel

Temperature:

Compensated range

14 °F to 104 °F (-10 °C to 40 °C)

Operating range

0 °F to 150 °F (-18 °C to 65 °C)

Seal Type:

Welded-seal, IP68

Safe Overload:

150% full scale

Safe Sideload:

100% full scale

Rated Excitation:

5 to 10 V DC (15 V maximum)

Combined Error:

0.02% full scale

Insulation Resistance:

5,000 megohm

Cable Length:

35 ft

Cable Diameter:

25,000 lb: 0.200 in

40,000 to 75,000 lb: 0.301 in

Polyurethane jacket

Cable Coloring:

Red +Excitation

Black -Excitation

Green +Signal

White -Signal

Warranty:

One-year limited

Approvals:

cFMus

NTEP