



Picture is a representation of actual product

Approvals



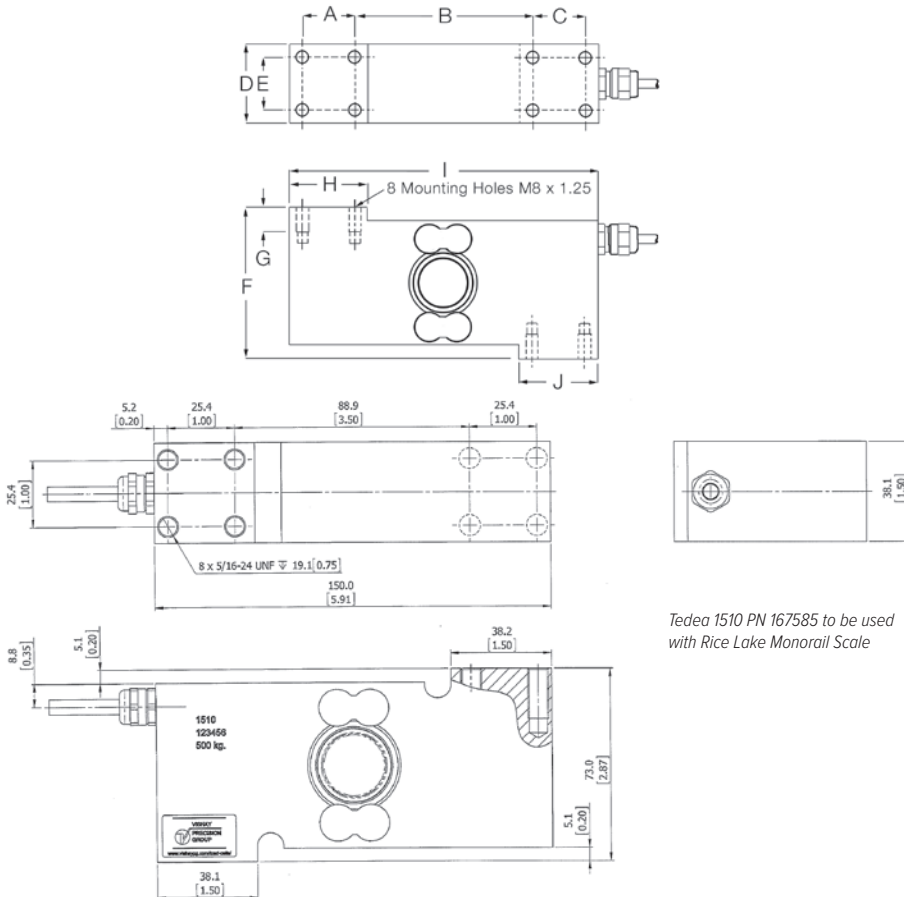
Order Information

Load Rating	Part #	Est. Weight	Price
OIML			
100 kg	65851	6 lb	Consult
250 kg	65852	6 lb	Consult
500 kg	65853	6 lb	Consult
NTEP Certified			
500 kg*	167585	6 lb	Consult

*Used in Rice Lake monorail scale

Dimensions

Rated Capacity	A	B	C	D	E	F	G	H	I	J
kg/mm										
100 to 500	25.4	86.3	25.4	38.1	25.4	72.8	11.9	38.1	149.9	38.1



Tedea 1510 PN 167585 to be used with Rice Lake Monorail Scale

Specifications

- Full Scale Output:** 2.0 mV/V
- Output Resistance:** 350 (\pm 3) ohm
- Input Resistance:** 380 (\pm 10) ohm
- Material/Finish:** Stainless steel
- Temperature:** Compensated range 14 °F to 104 °F (-10 °C to 40 °C)
Operating range 0 °F to 150 °F (-18 °C to 65 °C)
- Seal Type:** Welded-seal, IP68
- Safe Overload:** 150% at center loading point, full scale
- Rated Excitation:** 5 to 10 VDC (15 V maximum)
- Combined Error:** 0.020% full scale
- Insulation Resistance:** 2,000 megohm
- Cable Length:** 10 ft
- Cable Diameter:** 0.220 in
Polyurethane jacket
- Cable Color Code:** Green +Excitation
Black -Excitation
Red +Signal
White -Signal
Blue +Sense
Brown -Sense
- Platform Size:** 23.62 x 23.62 in
- Warranty:** One-year limited
- Approvals:** cFMus, OIML, NTEP