



Picture is a representation of actual product

Approvals



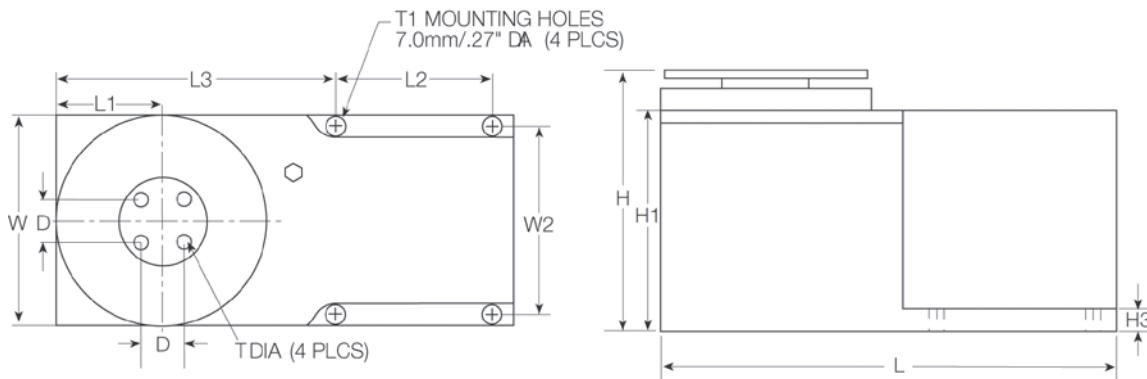
Order Information

Load Rating	Part #	Est. Weight	Price
3 kg	Consult	7 lb	Consult
5 kg	Consult	7 lb	Consult
7 kg	Consult	7 lb	Consult
10 kg	Consult	7 lb	Consult
15 kg	Consult	7 lb	Consult
20 kg	Consult	7 lb	Consult
30 kg	Consult	7 lb	Consult
50 kg	Consult	7 lb	Consult

Note: The special fluid damped operation is particularly well-suited for applications where quick weighment is required, e.g., checkweighers
 9010 load cells are custom-manufactured per specific application requirements; use the Application Definition Form on page 330 of this section as well as online at www.ricelake.com/questionnaires to define your applications
 Available in stainless steel with breather vent option for washdown applications

Dimensions

Rated Capacity	D	H	H1	H3	L	L1	L2	L3	T	W	W2
kg/mm											
3 to 50	19.1	115.2	97.3	10.0	199.5	46.0	71.5	119.8	1/4-20 UNC x 20 DP	92.0	82.0



Specifications

- Full Scale Output:**
2.0 mV/V
- Output Resistance:**
350 (± 5) ohm
- Input Resistance:**
415 (± 15) ohm
- Material/Finish:**
Aluminum
- Temperature:**
Operating range
0 °F to 150 °F (-18 °C to 65 °C)
- Seal Type:**
Environmentally sealed, IP65
- Safe Overload:**
800% full scale downward,
400% full scale upward
- Rated Excitation:**
15 VDC (15 V maximum)
- Combined Error:**
0.03% full scale
- Insulation Resistance:**
5,000 megohm
- Cable Length:**
3 ft
- Cable Diameter:**
0.370 in PVC jacket
- Cable Color Code:**
Green +Excitation
Black -Excitation
Red +Signal
White -Signal
Blue +Sense
Brown -Sense
- Warranty:**
One-year limited
- Approvals:**
cFMus