

Picture is a representation of actual product

Approvals

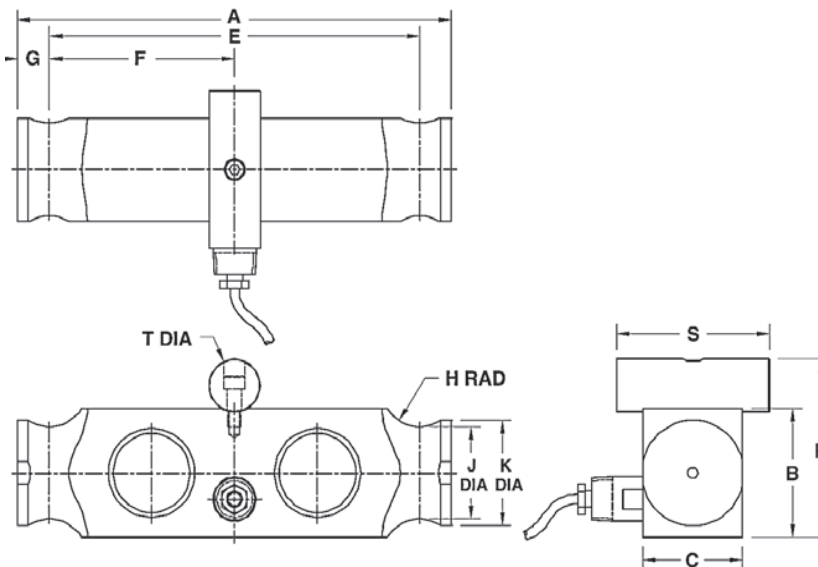


Order Information

Load Rating	Part #	Est. Weight	Price
50,000 lb	79711	14 lb	Consult
60,000 lb	79712	14 lb	Consult

Dimensions

Rated Capacity	A	B	C	E	F	G	H	J	K	R	S	T
lb/in												
50,000 to 60,000	8.50	2.45	1.95	7.25	3.62	0.63	0.75	1.75	2.00	3.38	3.00	1.00



Interchangeable Products

NV TECHNOLOGY®
BLC-1-N

Specifications

Full Scale Output:

3.0 mV/V

Output Resistance:

700 (± 7) ohm

Input Resistance:

700 (± 7) ohm

Material/Finish:

Stainless steel

Temperature:

Compensated range
14 °F to 104 °F (-10 °C to 40 °C)
Operating range
0 °F to 150 °F (-18 °C to 65 °C)

Seal Type:

Environmentally sealed, IP67

Safe Overload:

150% full scale

Safe Sideload:

100% full scale

Rated Excitation:

5 to 10 VDC (15 V maximum)

Non-repeatability:

0.01% full scale

Combined Error:

0.02% full scale

Insulation Resistance:

5,000 megohm

Cable Length:

30 ft

Cable Diameter:

0.295 in

Polyurethane jacket

Cable Color Code:

Red +Excitation
Black -Excitation
Green +Signal
White -Signal

Warranty:

One-year limited

Approvals:

cFMus
NTEP