



Picture is a representation of actual product

**Approvals**



**Order Information: NTEP Certified**

Load Rating	Part #	Est. Weight	Price
<b>NTEP Certified</b>			
0.5T	36190	2lb	Consult
1T	36191	2lb	Consult
2T	36192	3lb	Consult
3.5T	36193	3lb	Consult
5T	36194	3lb	Consult
10T	177263	6lb	Consult
<b>OIML</b>			
0.25T	126714	2lb	Consult
0.5T	126715	2lb	Consult
1T	126716	2lb	Consult
2T	126717	3lb	Consult
3.5T	126718	3lb	Consult
5T	126719	3lb	Consult
10T	177262	3lb	Consult

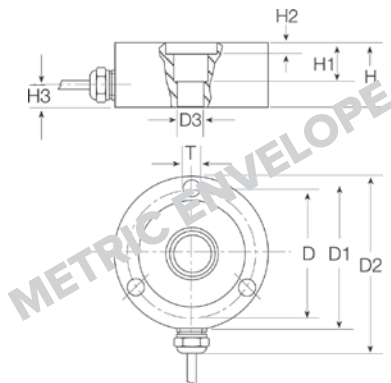
**Replacement Rocker Pin Set\***

Load Rating (Per Module)	Part #	Price
250 kg to 1T	170875	Consult
2T to 5T	170876	Consult
10T	170877	Consult

\*Kit includes upper cup, rocker pin and grease

**Dimensions**

Rated Capacity	D	D1	D2	D3	H	H1	H2	H3	T
0.25 to 1	2.76	3.15	3.84	0.40	0.99	0.60	0.04	0.37	M6 (3 x 120°)
2 to 5	2.76	3.15	3.84	0.60	1.18	0.79	0.24	0.33	M6 (3 x 120°)
10	3.26	3.74	4.42	0.98	1.37	0.58	-	0.39	M6 (3 x 120°)



**Weigh Module Available**

RICE LAKE WEIGHING SYSTEMS  
RLC..... page 53

**Specifications**

**Full Scale Output:**

2.0 mV/V

**Output Resistance:**

1,025 (± 25) ohm

**Input Resistance:**

1,110 (± 50) ohm

**Material/Finish:**

Stainless steel

**Temperature:**

Compensated range  
14 °F to 104 °F (-10 °C to 40 °C)  
Operating range  
0 °F to 150 °F (-18 °C to 65 °C)

**Seal Type:**

Hermetically sealed, IP66/68

**Safe Overload:**

150% full scale

**Safe Sideload:**

100% full scale

**Rated Excitation:**

5 to 10 VDC (15 V maximum)

**Combined Error:**

0.02% full scale

**Insulation Resistance:**

5,000 megohm

**Cable Length:**

5 m

**Cable Color Code:**

Pink +Excitation  
Grey -Excitation  
Brown +Signal  
White -Signal

**Warranty:**

One-year limited

**Approvals:**

FM  
OIML  
NTEP