

SINGLE-ENDED BEAM  
**RL32018S-T**

Stainless Steel, Hermetically Sealed, NTEP Certified, 1:5,000 Class III Multiple Cell, IP69K



Picture is a representation of actual product.

**Approvals**

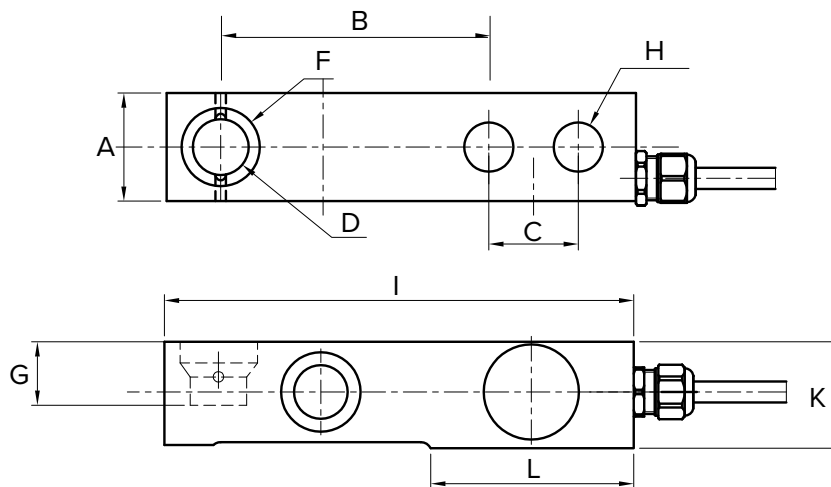


**Order Information**

Load Rating	Part #	Est. Weight	Price
<b>15 ft Cable</b>			
500 lb	189189	3 lb	Consult
1,250 lb	189190	3 lb	Consult
2,500 lb	189191	3 lb	Consult
5,000 lb	189192	5 lb	Consult
10,000 lb	189193	5 lb	Consult
<b>30 ft Cable</b>			
500 lb	191974	3 lb	Consult
1,250 lb	191975	3 lb	Consult
2,500 lb	191976	3 lb	Consult
5,000 lb	191977	5 lb	Consult
10,000 lb	191978	5 lb	Consult
<b>Replacement load pins</b>			
Rocker pin 500 to 2.5K	108612	1 lb	Consult
Rocker pin 5K	130408	1 lb	Consult
Rocker pin 10K	131376	1 lb	Consult
O-ring (two per pin)	108202	1 lb	Consult

**Dimensions**

Rated Capacity	A	B	C	D	F	G	H	I	K	L
lb/in										
500 to 1,250	1.21	3.00	1.00	0.62	0.88	0.68	0.51	5.25	1.19	2.27
2,500	1.21	3.00	1.00	0.62	0.88	0.68	0.51	5.25	1.19	2.27
5,000	1.44	3.00	1.00	0.62	0.88	0.90	0.51	5.38	1.44	2.28
10,000	1.69	3.75	1.50	0.88	1.38	1.15	0.76	6.75	1.69	2.91



**Interchangeable Products**

- METTLER-TOLEDO®  
**TB600529-500 lb**
- METTLER-TOLEDO  
**TB600363-1,250 lb**
- METTLER-TOLEDO  
**TB600342-2,500 lb**
- METTLER-TOLEDO  
**TB600343-5,000 lb**
- METTLER-TOLEDO  
**TB600364-10,000 lb**
- HBK®  
**THC**

**Weigh Module Available**

RICE LAKE WEIGHING SYSTEMS  
 RLTM..... page 46

**Specifications**

- Full Scale Output:**  
 2.0 mV/V ±0.05% current matched
- Output Resistance:**  
 350 (± 3) ohm
- Input Resistance:**  
 400 (± 20) ohm
- Material/Finish:**  
 Stainless steel
- Temperature:**  
 Compensated range  
 14 °F to 104 °F (-10 °C to 40 °C)  
 Operating range  
 0 °F to 150 °F (-18 °C to 65 °C)
- Seal Type:**  
 Hermetically sealed, IP69K
- Safe Overload:**  
 150% full scale
- Rated Excitation:**  
 5 to 10 VDC
- Combined Error:**  
 0.017% full scale
- Insulation Resistance:**  
 5,000 megohm
- Cable Length:**  
 15 ft  
 30 ft
- Cable Color Code:**  
 Green +Excitation  
 Black -Excitation  
 White +Signal  
 Red -Signal
- Warranty:**  
 Two-year limited
- Approvals:**  
 cFmus  
 NTEP 18-106