

RL70000 Painted

Alloy Steel, Environmentally Sealed, IP67



Picture is a representation of actual product.

Approvals

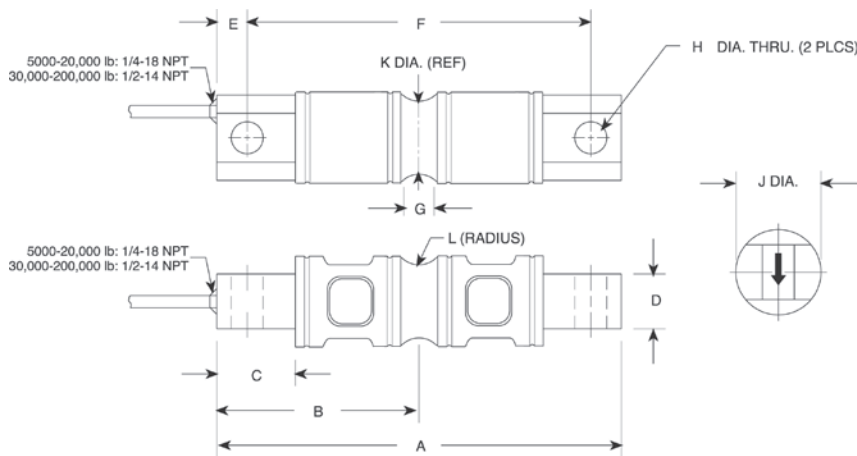


Order Information

| Load Rating | Part # | Est. Weight | Price |
|-------------|--------|-------------|---------|
| 5,000 lb | 198196 | 5 lb | Consult |
| 10,000 lb | 198197 | 6 lb | Consult |
| 20,000 lb | 198198 | 7 lb | Consult |
| 30,000 lb | 198199 | 18 lb | Consult |
| 40,000 lb | 198200 | 18 lb | Consult |
| 50,000 lb | 198201 | 18 lb | Consult |
| 60,000 lb | 198202 | 18 lb | Consult |
| 100,000 lb | 198203 | 28 lb | Consult |
| 150,000 lb | 198204 | 34 lb | Consult |
| 200,000 lb | 198205 | 90 lb | Consult |
| 250,000 lb | 198206 | 93 lb | Consult |

Dimensions

| Rated Capacity | A | B | C | D | E | F | G | H | J | K | L |
|--------------------|-------|------|------|------|------|-------|------|------|------|------|------|
| lb/in | | | | | | | | | | | |
| 5,000 to 10,000 | 8.12 | 4.06 | 1.44 | 1.12 | 0.62 | 6.88 | 0.62 | 0.66 | 1.70 | 1.48 | 0.50 |
| 20,000 | 8.12 | 4.06 | 1.44 | 1.12 | 0.62 | 6.88 | 0.84 | 0.66 | 1.95 | 1.48 | 0.50 |
| 30,000 to 60,000 | 10.25 | 5.12 | 1.88 | 2.37 | 0.88 | 8.50 | 1.00 | 1.06 | 3.20 | 2.73 | 1.00 |
| 100,000 | 11.25 | 5.62 | 1.88 | 2.50 | 0.88 | 9.50 | 1.00 | 1.06 | 3.50 | 3.24 | 1.50 |
| 150,000 | 11.25 | 5.62 | 1.88 | 2.80 | 0.88 | 9.50 | 1.25 | 1.06 | 3.90 | 3.64 | 1.50 |
| 200,000 to 250,000 | 16.10 | 8.05 | 3.05 | 4.60 | 1.55 | 13.00 | 1.30 | 1.56 | 5.38 | 5.17 | 2.00 |



Interchangeable Products

- RICE LAKE WEIGHING SYSTEMS
RL70000*.....page 128
- RICE LAKE WEIGHING SYSTEMS
RL72020*.....page 124
- RICE LAKE WEIGHING SYSTEMS
RL72020P.....page 126

Weigh Module Available

- RICE LAKE WEIGHING SYSTEMS
EZ Mount 1.....page 62

*Cells are unpainted

Specifications

- Full Scale Output:**
3.0 mV/V
- Output Resistance:**
5 to 10 k: 703 (± 4) ohm
20 to 150 k: 700 (± 5) ohm
200 to 250 k: 700 (± 5) ohm
- Input Resistance:**
5 to 10 k: 700 (± 14) ohm
20 to 150 k: 770 (± 10) ohm
200 to 250 k: 700 (± 14) ohm
- Material/Finish:**
High-alloy steel, nickel plated
- Temperature:**
Compensated range
14 °F to 104 °F (-10 °C to 40 °C)
Operating range
0 °F to 150 °F (-18 °C to 65 °C)

Seal Type:
Environmentally sealed, IP67

Safe Overload:
150% full scale

Safe Sideload:
100% full scale

Rated Excitation:
5 to 10 VDC (15 V maximum)

Combined Error:
0.02% full scale

Insulation Resistance:
5,000 megohm

Deflection at Capacity:
5,000 lb: 0.02 in
10,000 lb: 0.025 in
20,000 lb: 0.042 in
30,000 to 50,000 lb: 0.02 in
60,000 lb: 0.025 in
100,000 lb: 0.02 in

Cable Length:
30 ft

Cable Diameter:
5,000 to 20,000 lb: 0.200 in
30,000 to 250,000 lb: 0.305 in
Polyurethane jacket

Cable Color Code:
Red +Excitation
Black -Excitation
Green +Signal
White -Signal

Warranty:
Two-year limited

Approvals:
cFMus
NTEP 97-125