



Picture is a representation of actual product.

Approvals

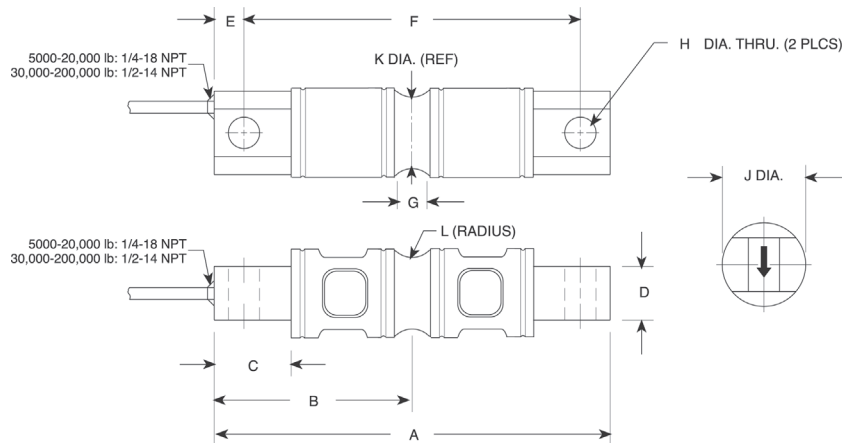


Order Information

Load Rating	Part #	Est. Weight	Price
5,000 lb	201758	5 lb	Consult
10,000 lb	201759	6 lb	Consult
20,000 lb	201760	7 lb	Consult
30,000 lb	201761	18 lb	Consult
40,000 lb	201762	18 lb	Consult
50,000 lb	201763	18 lb	Consult
60,000 lb	201764	18 lb	Consult
100,000 lb	201765	28 lb	Consult
150,000 lb	201766	34 lb	Consult
200,000 lb	201767	90 lb	Consult
250,000 lb	201768	93 lb	Consult

Dimensions

Rated Capacity	A	B	C	D	E	F	G	H	J	K	L
5,000 to 10,000	8.12	4.06	1.44	1.12	0.62	6.88	0.62	0.66	1.70	1.48	0.50
20,000	8.12	4.06	1.44	1.12	0.62	6.88	0.84	0.66	1.95	1.48	0.50
30,000 to 60,000	10.25	5.12	1.88	2.37	0.88	8.50	1.00	1.06	3.20	2.73	1.00
100,000	11.25	5.62	1.88	2.50	0.88	9.50	1.00	1.06	3.50	3.24	1.50
150,000	11.25	5.62	1.88	2.80	0.88	9.50	1.25	1.06	3.90	3.64	1.50
200,000 to 250,000	16.10	8.05	3.05	4.60	1.55	13.00	1.30	1.56	5.38	5.17	2.00



Interchangeable Products

RICE LAKE WEIGHING SYSTEMS

RL70000*

VPG® REVERE

5103*

ARTECH®

70210

METTLER-TOLEDO®

SLD 430

Weigh Module Available

RICE LAKE WEIGHING SYSTEMS

EZ Mount 1

*Conduit adapter optional

Specifications

Full Scale Output:

3.0 mV/V

Output Resistance:

700 (± 5) ohm

Input Resistance:

5 to 10 k: 700 (± 14) ohm

20 to 150 k: 770 (± 10) ohm

200 to 250 k: 700 (± 14) ohm

Material/Finish:

High-alloy steel, nickel plated

Temperature:

Compensated range

14 °F to 104 °F (-10 °C to 40 °C)

Operating range

0 °F to 150 °F (-18 °C to 65 °C)

Seal Type:

Environmentally sealed, IP67

Safe Overload:

150% full scale

Safe Sideload:

100% full scale

Rated Excitation:

5 to 10 VDC (15 V maximum)

Combined Error:

0.02% full scale

Insulation Resistance:

5,000 megohm

Deflection at Capacity:

5,000 lb: 0.02 in

10,000 lb: 0.025 in

20,000 lb: 0.042 in

30,000 to 50,000 lb: 0.02 in

60,000 lb: 0.025 in

100,000 lb: 0.02 in

Cable Length:

30 ft

Cable Color Code:

Red +Excitation

Black -Excitation

Green +Signal

White -Signal

Warranty:

Two-year limited

Approvals:

cFMus

NTEP 21-064