

COMPRESSION DISK  
**RL90000**

Alloy Steel, Environmentally Sealed, IP67



25K shown

5K shown

Load cup sold separately on 5,000 and 10,000 lb models.

Picture is a representation of actual product.

**Approvals**



**Order Information**

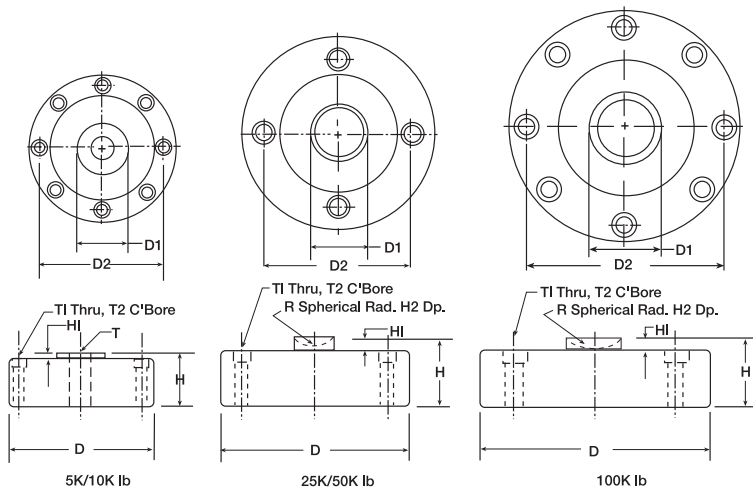
Load Rating	Part #	Est. Weight	Price
5,000 lb*	33061	6 lb	Consult
10,000 lb*	33062	6 lb	Consult
25,000 lb	33063	9 lb	Consult
50,000 lb	33064	9 lb	Consult
100,000 lb	33065	13 lb	Consult
Load Cup**	33616		Consult

\*5,000lb and 10,000lb models can be used in compression and tension load applications.

\*\*Load cup, PN 33616, is required for compression applications on 5,000lb and 10,000lb capacity load cells.

**Dimensions**

Rated Capacity	T	R	D	D1	D2	H	H1	H2	T1	T2
5,000* to 10,000*	5/8-18 UNF-3B	—	4.12	1.26	3.50	1.37	0.12	—	0.28	0.406 x 0.283 DP
25,000 to 50,000	—	0.875	4.75	1.53	4.00	2.12	0.50	0.30	0.34	0.508 x 0.38 DP
100,000	—	0.875	5.50	1.98	4.60	2.25	0.25	0.30	0.41	0.626 x 0.4 DP



**Interchangeable Products**

VPG® CELTRON

LCD ..... page 199

**Specifications**

**Full Scale Output:**

4.0 mV/V

**Output Resistance:**

5,000 to 50,000 lb: 350 (± 3) ohm  
100,000 lb: 700 (± 5) ohm

**Input Resistance:**

5,000 to 50,000 lb: 385 (± 5) ohm  
100,000 lb: 770 (± 70) ohm

**Material/Finish:**

High-alloy steel, nickel plated

**Temperature:**

Operating range  
0 °F to 150 °F (-18 °C to 65 °C)

**Seal Type:**

Environmentally sealed, IP67

**Safe Overload:**

150% full scale

**Safe Sideload:**

100% full scale

**Rated Excitation:**

15 VDC (15 V maximum)

**Nonlinearity:**

0.05% full scale

**Hysteresis:**

0.02% full scale

**Insulation Resistance:**

2,000 megohm

**Cable Length:**

50 ft

**Cable Diameter:**

5,000 to 25,000 lb: 0.200 in  
50,000 to 100,000 lb: 0.305 in Polyurethane jacket

**Cable Color Code:**

Red +Excitation  
Black -Excitation  
Green +Signal  
White -Signal

**Warranty:**

Two-year limited

**Approvals:**

cFMus