

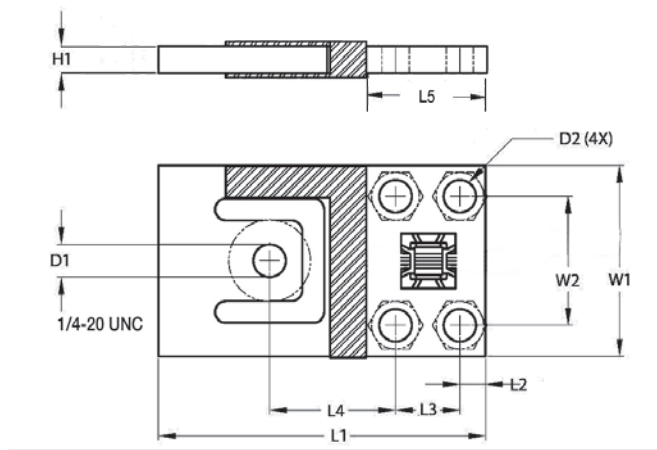
Picture is a representation of actual product.

Order Information

Load Rating	Part #	Est. Weight	Price
15 kg	100272	1 lb	Consult
37.5 kg	104645	1 lb	Consult
75 kg	100273	1 lb	Consult
150 kg	100274	1 lb	Consult

Dimensions

Rated Capacity kg/mm	L1	L2	L3	L4	L5	W1	W2	H1	D1	D2
15	70.0	4.9	14.0	28.0	23.7	39.0	27.8	4.1	7.6	5.1
37.5	76.2	6.0	15.0	29.3	27.0	44.5	30.0	4.8	7.6	6.6
75	84.4	6.4	15.0	34.0	27.7	54.8	30.0	6.4	7.6	6.6
150	107.3	7.8	22.9	45.9	38.4	69.9	44.5	7.9	9.1	8.1



Interchangeable Products

FLINTEC™

PB page 222

Specifications

Full Scale Output:

1.0 mV/V

Output Resistance:

1,000 (± 10) ohm

Input Resistance:

1,180 (± 50) ohm

Material/Finish:

Aluminum

Temperature:

Operating range
0 °F to 150 °F (-18 °C to 65 °C)

Seal Type:

Environmentally sealed, IP65

Safe Overload:

150% full scale

Rated Excitation:

5 to 15 VDC

Combined Error:

0.05% full scale

Insulation Resistance:

5,000 megohm

Cable Length:

15 kg: 1.0 m
37.5 kg, 75 kg, 150 kg: 1.5 m

Cable Color Code:

Green +Excitation
Black -Excitation
White +Signal
Red -Signal

Warranty:

Two-year limited