

# RLCSP1

Stainless Steel, Welded Seal, NTEP Certified 1:10,000 Class III L Multiple Cell, IP67



Picture is a representation of actual product.

### Approvals

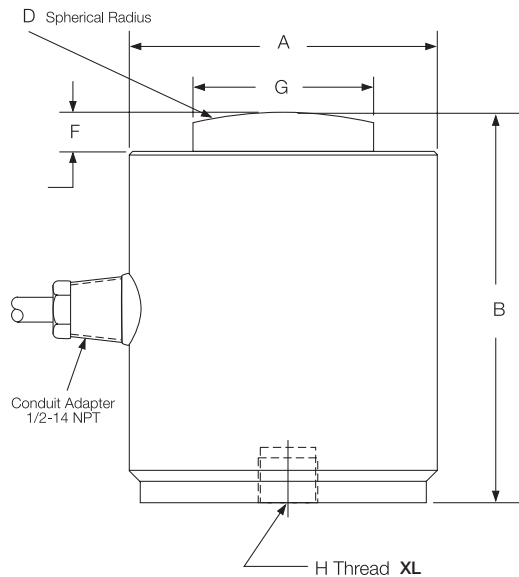


### Order Information

| Load Rating        | Part # | Est. Weight | Price   |
|--------------------|--------|-------------|---------|
| <b>35 ft Cable</b> |        |             |         |
| 25,000 lb          | 32702  | 7 lb        | Consult |
| 50,000 lb          | 32701  | 7 lb        | Consult |
| 100,000 lb         | 32700  | 15 lb       | Consult |
| 200,000 lb         | 32699  | 28 lb       | Consult |
| <b>80 ft Cable</b> |        |             |         |
| 200,000 lb         | 197788 | 30 lb       | Consult |

### Dimensions

| Rated Capacity   | A    | B    | D     | F    | G    | H          | L-DEPTH |
|------------------|------|------|-------|------|------|------------|---------|
| lb/in            |      |      |       |      |      |            |         |
| 25,000 to 50,000 | 3.00 | 3.25 | 6.00  | 0.40 | 1.25 | 1/2-20 UNF | 0.31    |
| 100,000          | 4.00 | 5.00 | 6.00  | 0.51 | 2.31 | 3/4-16 UNF | 0.56    |
| 200,000          | 6.00 | 7.25 | 17.00 | 1.04 | 3.13 | 3/4-16 UNF | 0.75    |



### Interchangeable Products

- VPG® REVERE
- CSP** ..... page 265
- VPG® SENSORTRONICS®
- 65088-1000**
- VPG® REVERE
- 692B**
- HOWE RICHARDSON®
- 244699-000X**
- STREETER AMET®
- 3760XXX**

### Weigh Module Available

- RICE LAKE WEIGHING SYSTEMS
- MagnaMount** ..... page 77

### Specifications

- Full Scale Output:**  
2.0 mV/V
- Output Resistance:**  
475.2 to 484.8 ohm
- Input Resistance:**  
445.5 to 454.5 ohm
- Material/Finish:**  
Stainless steel
- Temperature:**  
Compensated range  
14 °F to 104 °F (-10 °C to 40 °C)  
Operating range  
0 °F to 150 °F (-18 °C to 65 °C)
- Seal Type:**  
Welded-seal, IP67
- Safe Overload:**  
150% full scale
- Rated Excitation:**  
5 to 10 VDC (15 V maximum)
- Combined Error:**  
0.03% full scale
- Non-repeatability:**  
0.01% full scale
- Insulation Resistance:**  
1,000 megohm
- Deflection at Capacity:**  
25,000 to 50,000 lb: 0.003 in  
100,000 to 125,000 lb: 0.006 in
- Cable Length:**  
35 ft  
80 ft
- Cable Diameter:**  
0.305 in polyurethane jacket
- Cable Color Code:**  
Green +Excitation  
Black -Excitation  
White +Signal  
Red -Signal  
Orange Shield
- Warranty:**  
Two-year limited
- Approvals:**  
NTEP 95-140