

DOUBLE-ENDED BEAM
RLDB50000S

Stainless Steel, Welded Seal, NTEP Certified 1:10,000 IIIIL Multiple Cell, IP67



Picture is a representation of actual product.

Approvals

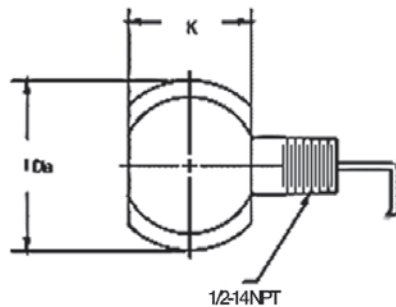
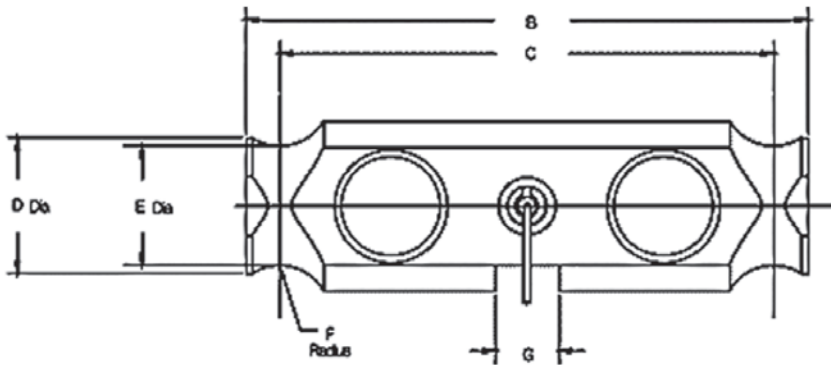


Order Information

Load Rating	Part #	Est. Weight	Price
50,000 lb	91765	10 lb	Consult

Dimensions

Rated Capacity	B	C	D	E	F	G	K	I
lb/in								
50,000	8.25	7.25	2.00	1.76	0.75	0.93	1.80	2.50



Interchangeable Products

CARDINAL®
DB50000S

Specifications

Full Scale Output:
 2.0 ± 0.1% mV/V

Output Resistance:
 699 to 707 ohm

Input Resistance:
 686 to 714 ohm

Material/Finish:
 Stainless steel

Temperature:
 Compensated range
 14 °F to 104 °F (-10 °C to 40 °C)
 Operating range
 0 °F to 150 °F (-18 °C to 65 °C)

Seal Type:
 Welded-seal, IP67

Safe Overload:
 150% full scale

Safe Sideload:
 100% full scale

Rated Excitation:
 5 to 10 VDC (15 V maximum)

Non-repeatability:
 0.01% full scale

Combined Error:
 0.03% full scale

Insulation Resistance:
 5,000 megohm

Deflection at Capacity:
 0.01 in

Cable Length:
 35 ft

Cable Diameter:
 0.305 in
 Polyurethane jacket

Cable Color Code:
 Red +Excitation
 Black -Excitation
 White +Signal
 Green -Signal

Warranty:
 Two-year limited

Approvals:
 cMus
 NTEP 92-018