

SINGLE POINT
RLSP4

Aluminum, Environmentally Sealed, NTEP Certified 1:5,000 Class III Single Cell, IP66



Picture is a representation of actual product.

Approvals

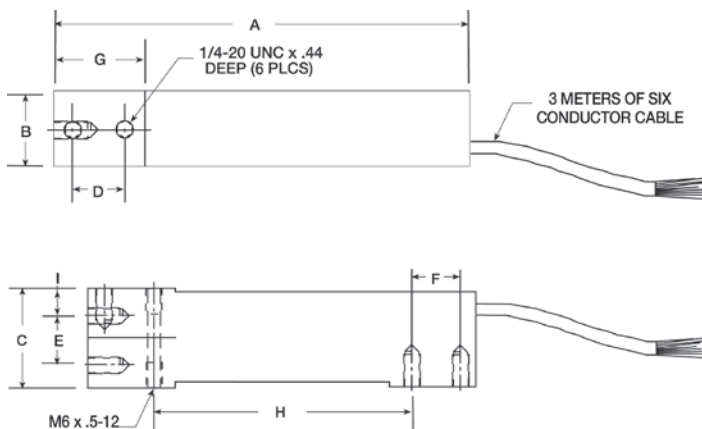


Order Information

Load Rating	Part #	Est. Weight	Price
NTEP Certified			
7 kg	91725	2 lb	Consult
10 kg	91726	2 lb	Consult
15 kg	91727	2 lb	Consult
20 kg	91728	2 lb	Consult
30 kg	91729	2 lb	Consult
50 kg	91730	2 lb	Consult
75 kg	91731	2 lb	Consult
100 kg	91732	2 lb	Consult
Non-NTEP Certified			
5 kg	91724	2 lb	Consult

Dimensions

Rated Capacity	A	B	C	D	E	F	G	H	I
kg/mm									
5 to 100	150.3	25.4	39.9	19.1	19.1	19.1	33.8	99.6	11.4



Interchangeable Products

HBK®
SP4M..... page 228

Specifications

- Full Scale Output:**
2.0 mV/V
- Output Resistance:**
350 (± 3) ohm
- Input Resistance:**
350 ohm
- Material/Finish:**
Anodized aluminum
- Temperature:**
Compensated range
14 °F to 104 °F (-10 °C to 40 °C)
Operating range
0 °F to 150 °F (-18 °C to 65 °C)
- Seal Type:**
Environmentally sealed, IP66
- Safe Overload:**
150% full scale
- Rated Excitation:**
5 to 10 VDC (15 V maximum)
- Combined Error:**
0.02% full scale
- Insulation Resistance:**
5,000 megohm
- Deflection at Capacity:**
0.4 mm
- Cable Length:**
10 ft
- Cable Diameter:**
0.19 in PVC jacket
- Cable Color Code:**
Green +Excitation
Black -Excitation
Red +Signal
White -Signal
Blue +Sense
Brown -Sense
Yellow Shield
- Max Platform Size:**
5 to 10 kg: 12 × 12 in
15 to 30 kg: 18 × 18 in
50 to 100 kg: 24 × 24 in
- Warranty:**
Two-year limited
- Approvals:**
FM
NTEP 05-114