

RICELAKE, 1042, Aluminum, Environmentally Sealed, NTEP Certified 1:5,000 Class III Single Cell, IP66

Discontinued
Limited Stock Available



Picture is a representation of actual product.

Approvals

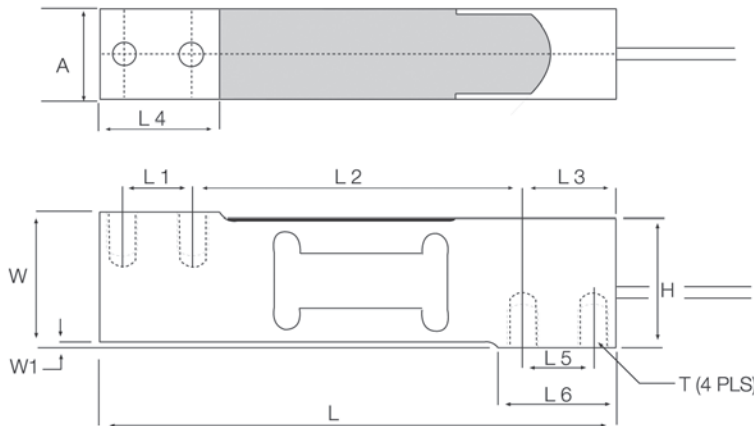


Order Information

Load Rating	Part #	Est. Weight	Price
1 kg	40955	1 lb	Consult
10 kg	40958	1 lb	Consult
15 kg	40959	1 lb	Consult
20 kg	40960	1 lb	Consult

Dimensions

Rated Capacity	A	H	L	L1	L2	L3	L4	L5	L6	W	W1	T
kg/mm												
1 to 20	20.0	39.0	150.0	19.0	100.0	25.0	34.0	19.0	34.0	40.0	1.0	1/4-20 UNC



Interchangeable Products

RLSP4..... page 158
 VPG® TEDEA-HUNTLEIGH
 1042..... page 313
 HBK®
 SP4M..... page 228
 FLINTEC
 PC 42

Specifications

Full Scale Output:
2.0 mV/V

Output Resistance:
350 (± 3) ohm

Input Resistance:
415 (± 15) ohm

Material/Finish:
Aluminum

Temperature:
Compensated range
14 °F to 104 °F (-10 °C to 40 °C)
Operating range
0 °F to 150 °F (-18 °C to 65 °C)

Seal Type:
Environmentally sealed, IP66

Safe Overload:
150% full scale
Over-center loading point

Rated Excitation:
5 to 10 VDC (15 V maximum)

Combined Error:
0.02% full scale

Deflection at Capacity:
0.015 in

Insulation Resistance:
2,000 megohm

Cable Length:
10 ft

Cable Diameter:
0.200 in PVC jacket

Cable Color Code:
Green +Excitation
Black -Excitation
Red +Signal
White -Signal
Blue +Sense
Brown -Sense

Platform Size:
16 × 16 in

Warranty:
Two-year limited

Approvals:
FM
NTEP 97-138